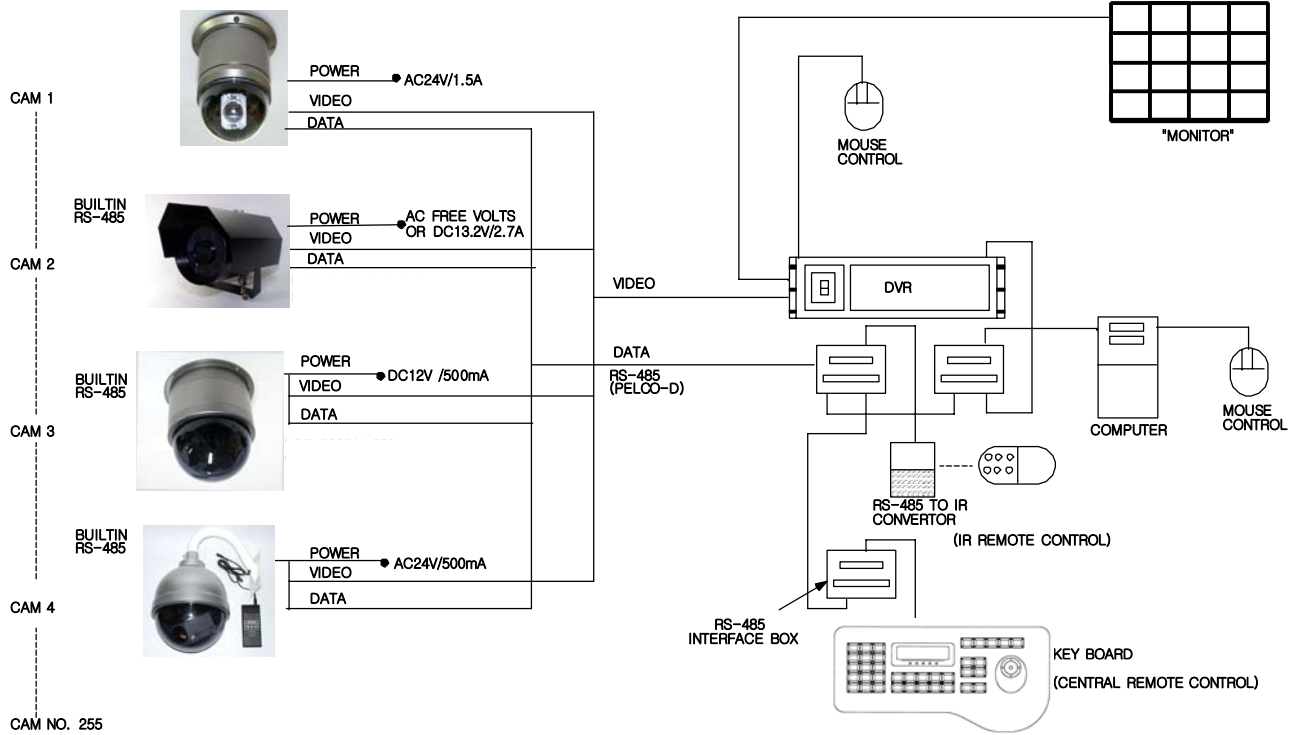
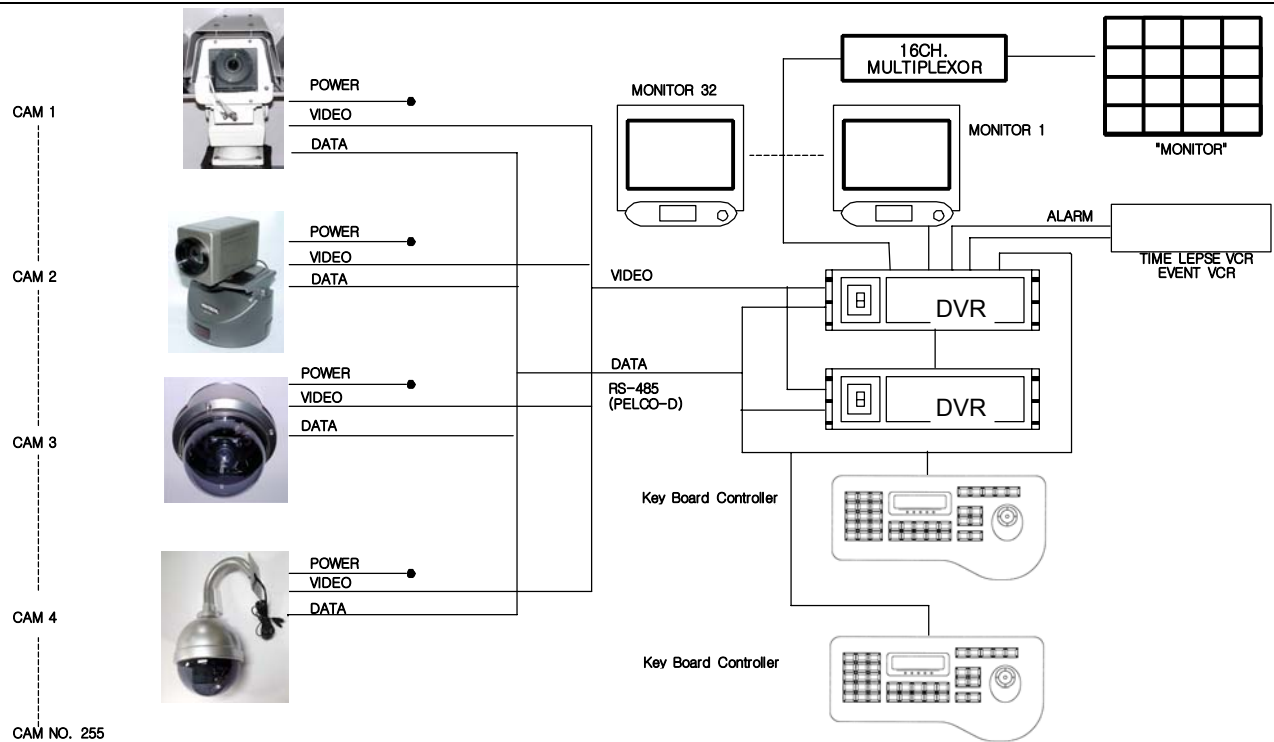


Connection diagrams of 255-P/T/Z cameras multi-remote control by DVR, computer, Remocon



Connection diagrams of RS-485 Matrix System to use Multi-remote control of MAX, 255-P/T/Z cameras and Matrix switcher by Keyboard Controller together



CAM NO. 255

© MAX. 255-Pan/Tilt/Zoom or Zoom Camera Multi-Remote control by using RS-485/Pelco protocol RX.